

- Model UB8 with PTC installed for Self-holding function (Making it safer)
- Phenol walls prevent spark
- **Larger Electrical Capacity**
125V/25A by UL recognition,
250V / 16(2)A by VDE approval.
Suitable to use in heating appliance of 2kW and more

UB8P

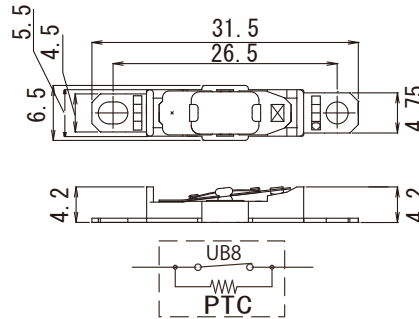
thermal protector
thermal cut-out



Specifications

- Operating Temp 60°C~150°C (5°C step)
- Tolerance ±5°C、±7°C、±10°C
- Reset not automatic reset
- Breaking capacity
25A 125V AC 6000 cycle (resistive)
13A 250V AC 6000 cycle (resistive)

Dimensions



Applications

- Overheat protector
- 2kW Hair Drier
- Blender
- Food Processor
- Dish Washer

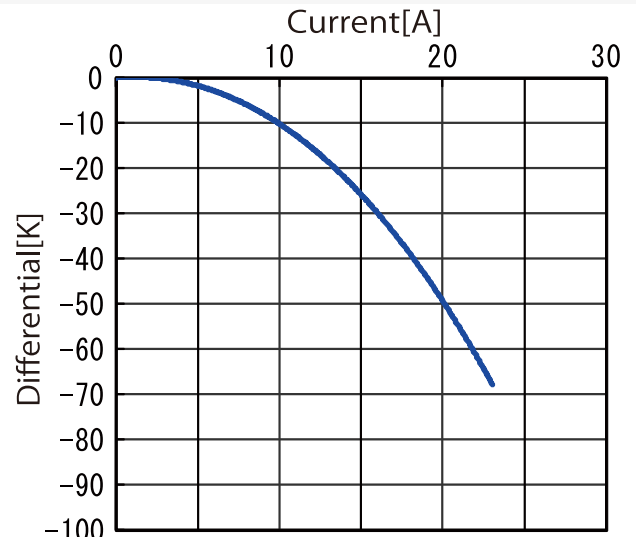
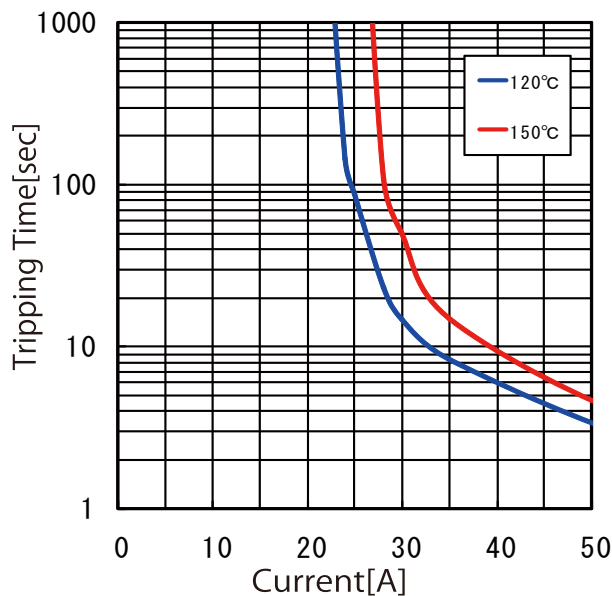
Safety Approval

※Contact us for approved conditions in detail.

Model	Agency	Standard	Category	Electrical Ratings	Max Temp	File No.
UB8P	UL	UL873	Regulating	25A /125V AC (resistive) 6000 cycles	150°C	E50124
	UL	UL873	Regulating	13A /250V AC (resistive) 6000 cycles	150°C	E50124
	c-UL	CSA C22.2 No.24	Appliance Control	25A /125V AC (resistive) 6000 cycles	150°C	E50124
	c-UL	CSA C22.2 No.24	Appliance Control	13A /250V AC (resistive) 6000 cycles	150°C	E50124
	EN (VDE)	EN 60730-2-9	Voltage Maintained Temperature Limiter	16A(2A) /250V AC resistive (inductive) 6000 cycles	150°C	892100-4510-0039
	EN (VDE)	EN 60730-2-9	Voltage Maintained Thermal Cut-out	16A(2A) /250V AC resistive (inductive) 6000 cycles	125°C	892100-4510-0039
	CQC	GB14536.10	Thermostat (Non-fused bimetal type)	25A/125V, 13A/250V AC	150°C	CQC11002059930 CQC11002059934

Graph Left: Tripping Time vs Current (at 25°C)

Graph Right: Operating Temp. Drop due to Current



Variation

1	Dust Cover
	No / Yes
P	Reset
	Automatic / Off Self-Hold