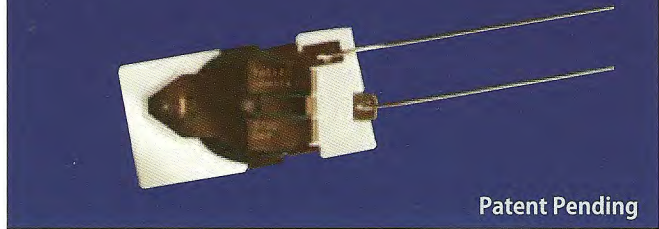


- High temperature low profile SOD
- Quick Thermal response, better in product safety
- Highly responsive in an abnormal condition, faster 2 to 5 times than a thermal fuse
- Long-term stability in high temp. compared to thermal fuse

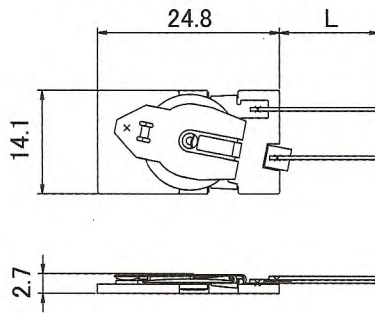


Patent Pending

Specifications

- Operating Temp
Up to 270°C ±5%
- Resetting Temp
Below -35°C 1cycle
- Contact ratings
125V /250V 5A resistive

Dimensions



Applications

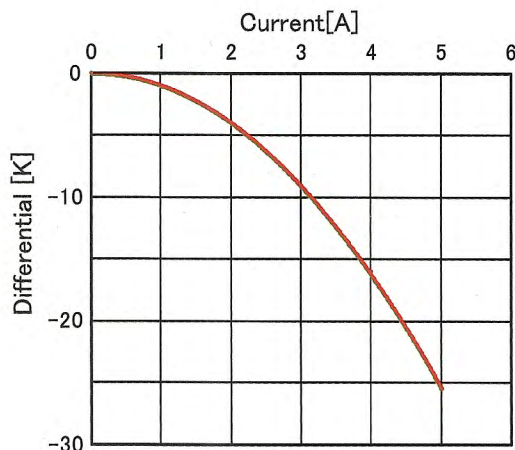
- Hair straightener
- Hair iron
- Coffee maker
- Espresso machine
- Hot plate
- Iron
- etc.....

Safety Approval

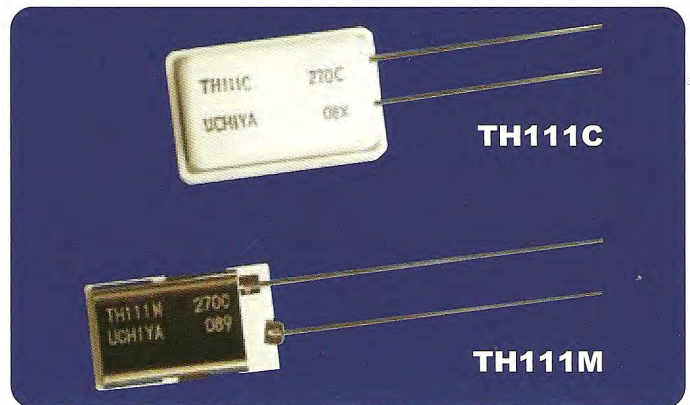
※Contact us for approved conditions in detail.

Model	Agency	Standard	Category	Electrical Ratings	Max Temp	File No.
TH111	UL	UL873	Limiting Control (S O D)	125V/250V AC 5A 1cycle resistive	270°C	E50124
	EN(VDE)	EN60730-2-9	Single Operation Device	250V AC 5A resistive (Below-35°C 1cycle)	270°C	892100-4510-0034

Operating Temp. Drop due to Current



Variation



Variation

TH111	None
M	Metal Cover
C	Ceramic Cover